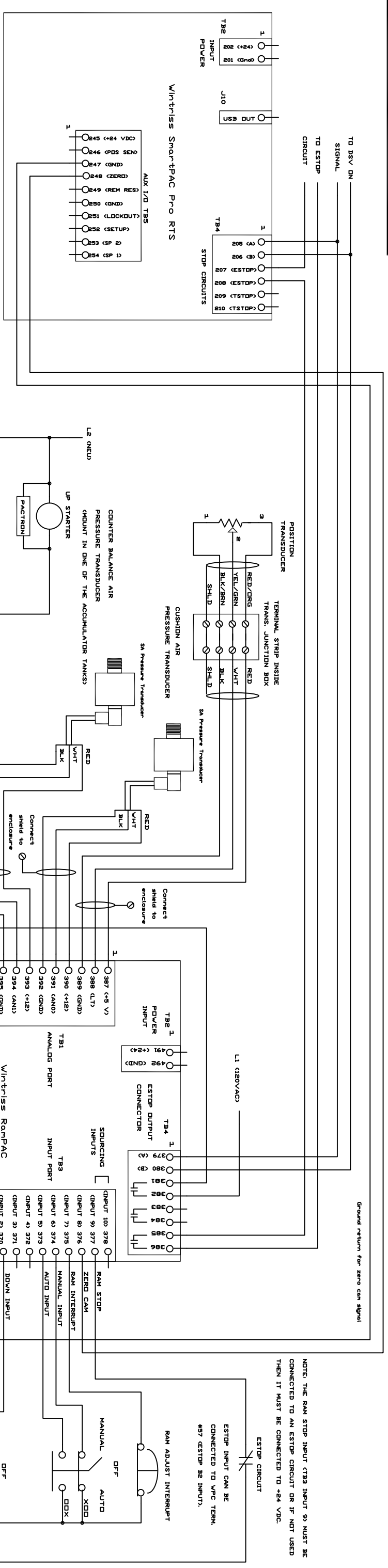
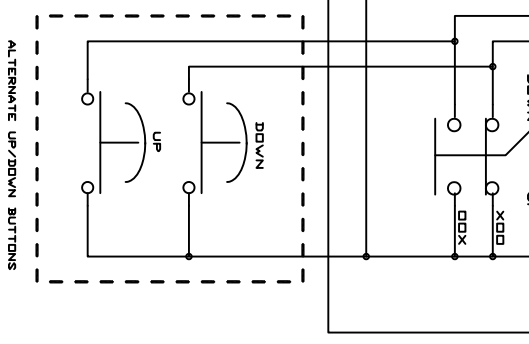
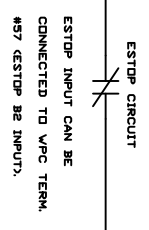


PROPRIETARY RIGHTS: This document discloses subject matter in which Wintriss Controls Group has proprietary rights. Without express or implied license, no one is permitted to reproduce, copy, disseminate, or otherwise use this document, in any part thereof, or to practice any method or process, except by written notice or written agreement with Wintriss Controls Group.



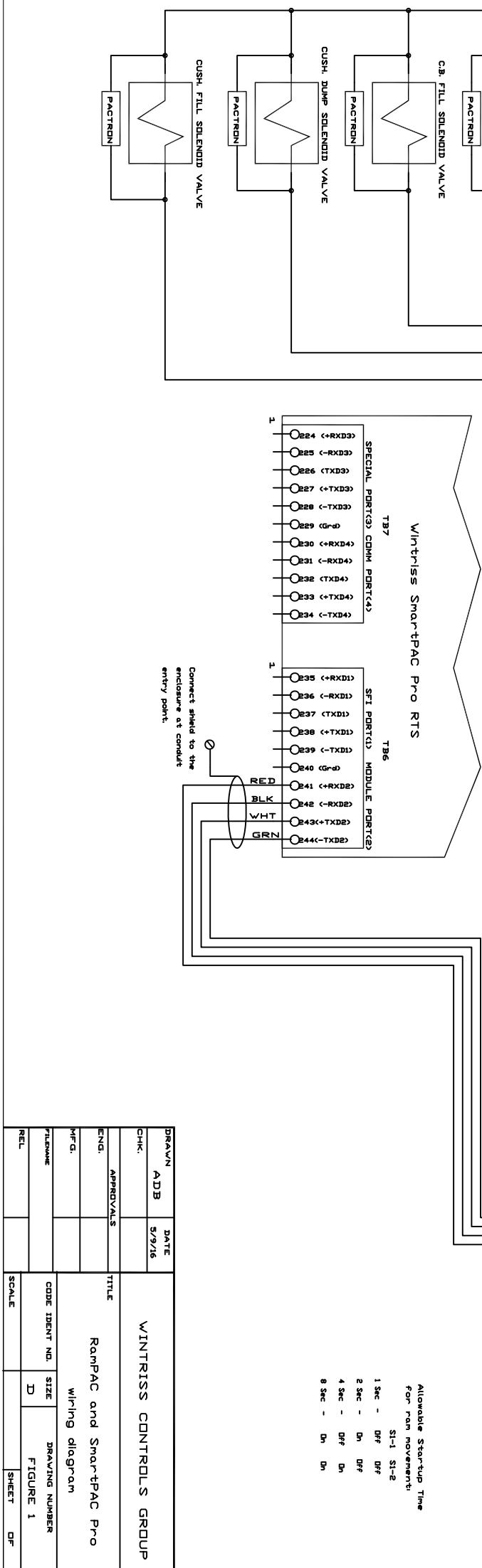
REV	DESCRIPTION	DATE	APP'D

NOTE: THE RAM STOP INPUT (TB3 INPUT 9) MUST BE CONNECTED TO AN ESTOP CIRCUIT OR IF NOT USED THEN IT MUST BE CONNECTED TO +24 VDC.



Allowable Start-up Time
For ram movements:

SI-1	SI-2
1 Sec - OFF	OFF
2 Sec - On	OFF
4 Sec - OFF	On
8 Sec - On	On

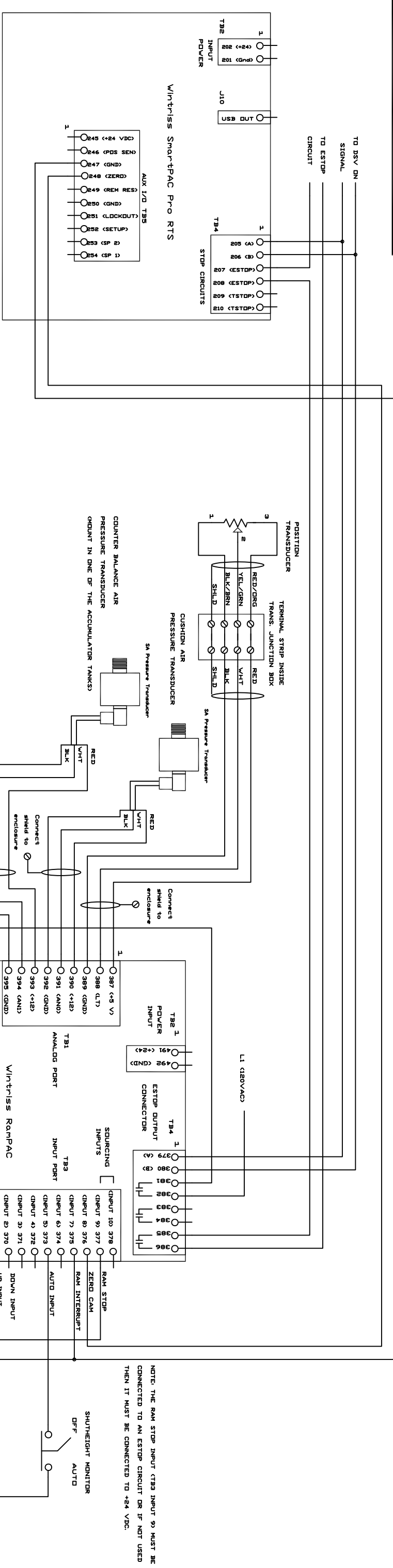


DRAWN	DATE	TITLE
ADD	5/9/16	WINTRISS CONTROLS GROUP
CHK:		
APP'D:		
ENG:		
WFG:		
FILENAME		
REV		

CODE IDENT NO.	SIZE	DRAWING NUMBER	REV
D		FIGURE 1	
SCALE		SHEET	OF

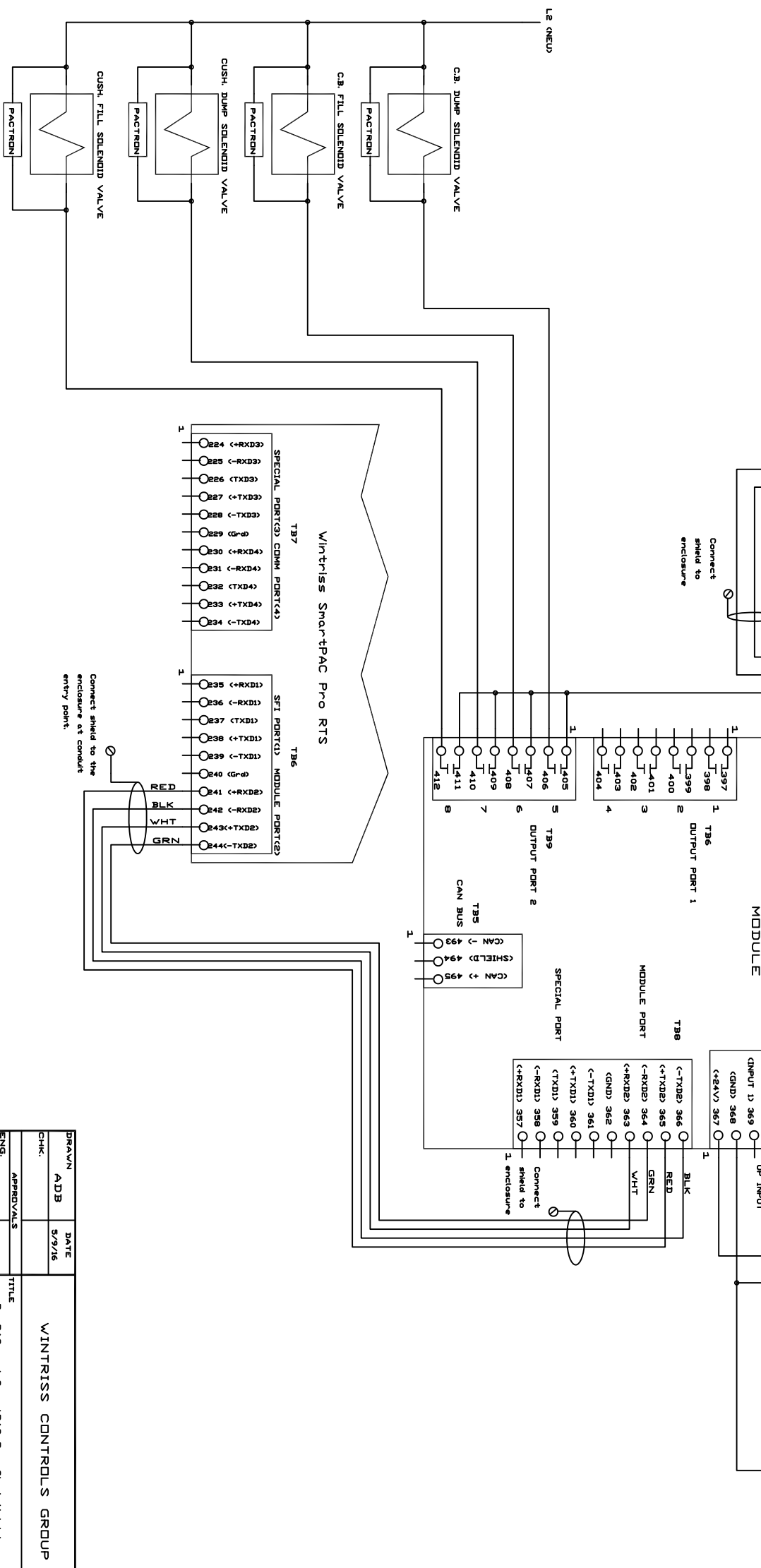
PROPRIETARY RIGHTS: This document discloses subject matter in which Wintriss Control Group has proprietary rights. Wherever copyright notices appear in this document, any part thereof, any information contained therein or any physical article or device, or to practice any method or process, except by written notice or written agreement with Wintriss Control Group.

REV	DESCRIPTION	DATE	APP'D



NOTE: THE RAM STOP INPUT (TBS INPUT 9) MUST BE CONNECTED TO AN ESTOP CIRCUIT OR IF NOT USED THEN IT MUST BE CONNECTED TO +24 VDC.

SHUTHEIGHT MONITOR
OFF AUTO

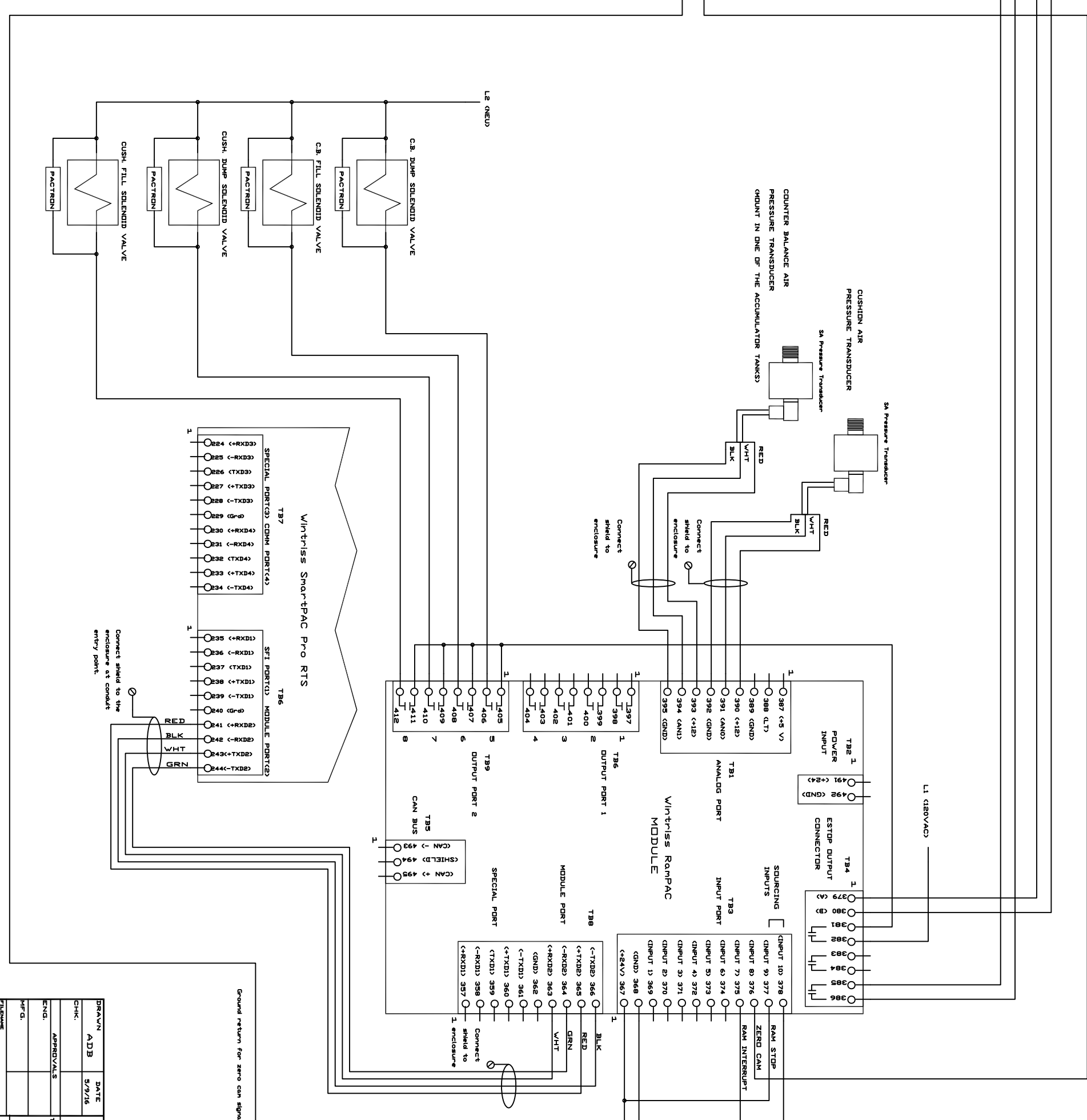
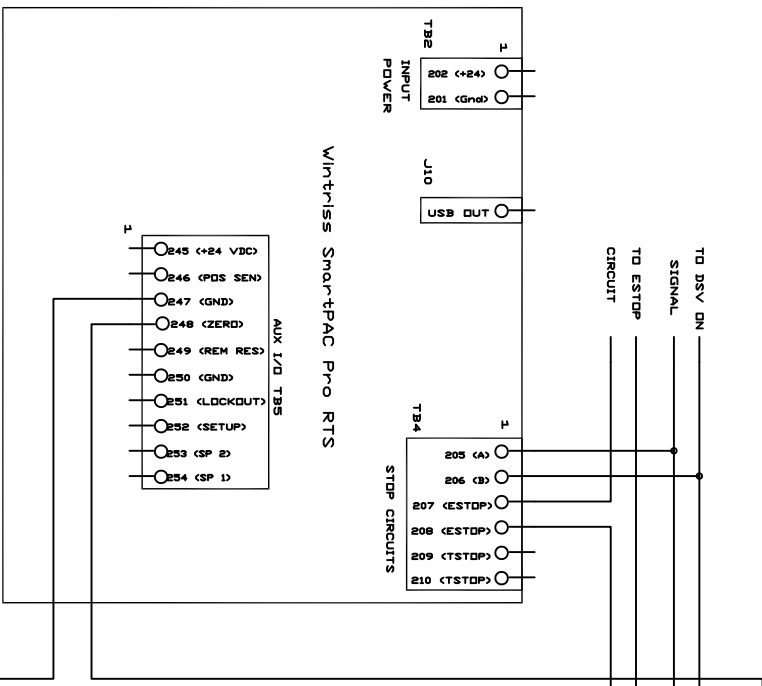


DRAWN	ADD	DATE	TITLE
		5/9/16	WINTRISS CONTROLS GROUP

CHK.	APPROVALS	ENG.	WFG.	FILENAME	CODE IDENT NO.	SIZE	DRAWING NUMBER	REV
					D		FIGURE 2	

REL.	SCALE	SHEET	OF

PROPRIETARY RIGHTS: This document discloses subject matter in which Wintriss Controls Group has proprietary rights. Wherever copyright notices appear in this document, any part thereof, any information contained therein or any physical article or device, or to practice any method or process, except by written permission or written agreement with Wintriss Controls Group.

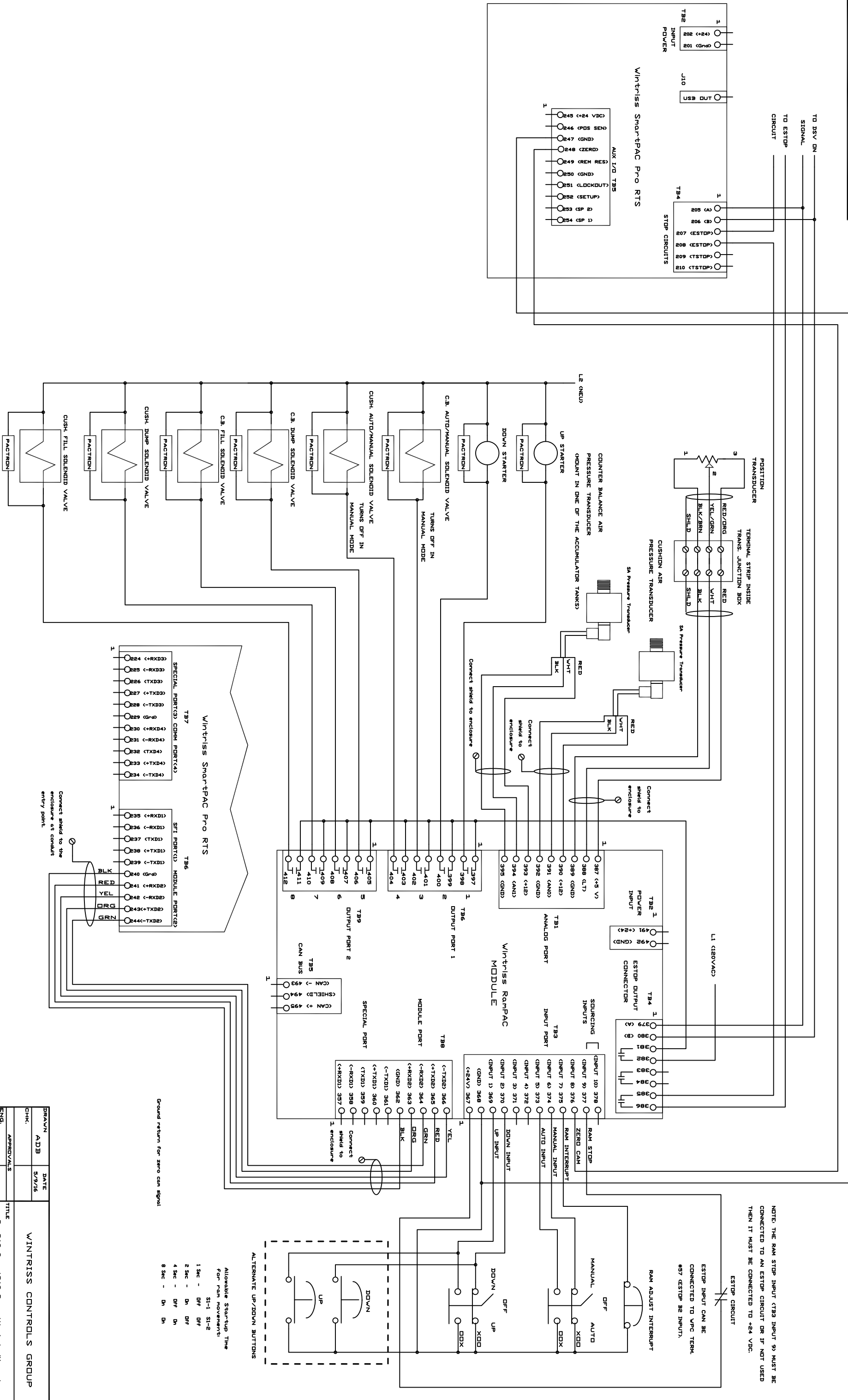


NOTE: IF NOT USING RAMPAC'S RAM ADJUST CONTROL BUT IF PRESS HAS A RAM ADJUST SYSTEM CONNECT RAM MOTOR ON CONTACT INTO INPUT 10.

NOTE: THE RAM STOP INPUT (TB3 INPUT 9) MUST BE CONNECTED TO AN ESTOP CIRCUIT OR IF NOT USED THEN IT MUST BE CONNECTED TO +24 VDC.

DRAWN		DATE	
ADD		5/9/16	
CHK:			
APPROVALS			
ENG:			
WFG:			
FILENAME			
REL			
TITLE			
Wintriss Controls Group			
RampAC and SmartPAC Pro with counter balance only wiring diagram			
CODE IDENT NO.	SIZE	DRAWING NUMBER	REV
	D	FIGURE 3	
SCALE	SHEET		OF

PROPRIETARY RIGHTS: This document discloses subject matter in which Wintriss Controls Group has proprietary rights. Without express or implied license, no one is permitted to copy, reproduce, distribute, or otherwise use this document, in any part thereof, without the express written consent of Wintriss Controls Group. Any use of this document, in any part thereof, without the express written consent of Wintriss Controls Group, may constitute an infringement of intellectual property rights of Wintriss Controls Group. Any use of this document, in any part thereof, without the express written consent of Wintriss Controls Group, may constitute an infringement of intellectual property rights of Wintriss Controls Group.



REVISONS

REV	DESCRIPTION	DATE	APP'D

NOTE: THE RAM STOP INPUT (TB3 INPUT 9) MUST BE CONNECTED TO AN ESTOP CIRCUIT OR IF NOT USED THEN IT MUST BE CONNECTED TO +24 VDC.

ESTOP CIRCUIT
ESTOP INPUT CAN BE CONNECTED TO WPC TERM. #57 (ESTOP BE INPUT).

RAM ADJUST INTERRUPT
MANUAL AUTO
DOWN INPUT XDD
UP INPUT ODX

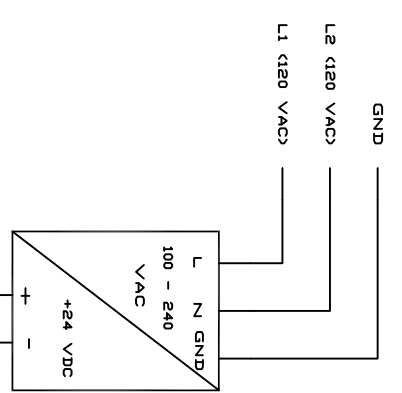
ALTERNATE UP/DOWN BUTTONS
DOWN
UP

Allowable Start-up Time for ram movement:
S1-1 S1-2
1 Sec - Off Off
2 Sec - On Off
4 Sec - Off On
8 Sec - On On

DRAWN	ADD	DATE	5/9/16
CHK.			
ENG.			
WFG.			
FILENAME			
REL			
TITLE		WINTRISS CONTROLS GROUP	
		RampPAC SmartPAC Pro with Auto/Manual	
		Counter balance valves wiring diagram	
CODE IDENT NO.	SIZE	DRAWING NUMBER	REV
	D	FIGURE 4	
SCALE		SHEET	OF

PROPRIETARY RIGHTS. This document discloses subject matter in which Wintriss Controls Group has proprietary rights. Neither receipt nor possession thereof confers or transfers any right to reproduce or disclose the document, any part thereof, any information contained therein or any physical article or device, or to practice any method or process, except by written permission or written agreement with Wintriss Controls Group.

REVISIONS		
REV	DESCRIPTION	DATE

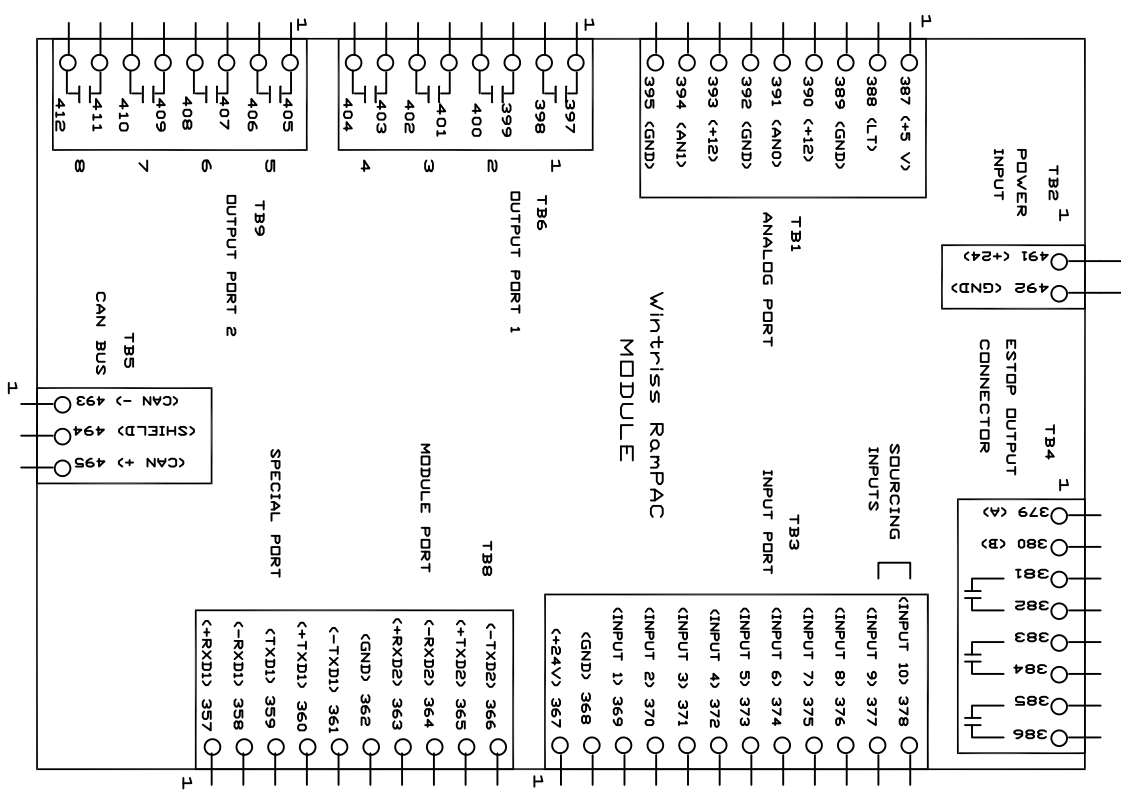
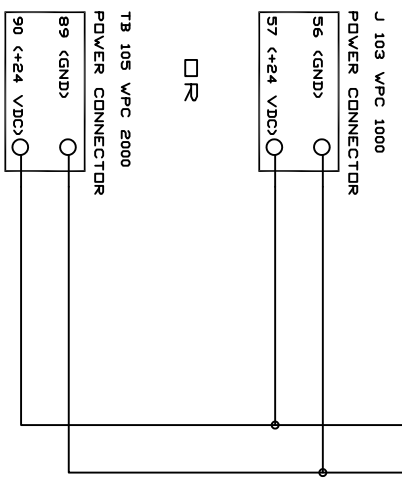


THIS CAN BE THE WPC 1000/2000 POWER SUPPLY OR IT CAN BE AN EXTERNAL 24 VDC SUPPLY WITH A VA RATING LARGE ENOUGH TO OPERATE BOTH WPC AND RAMPAC SYSTEMS.

THE RAMPAC REQUIRES 10VA @24 VDC +/- 15%

THE WPC 1000 REQUIRES 40VA @24 VDC +/- 15%

THE WPC 2000 REQUIRES 65VA @24 VDC +/- 15%



Pin	Label	Signal
1	INPUT 10	378
2	INPUT 9	377
3	INPUT 8	376
4	INPUT 7	375
5	INPUT 6	374
6	INPUT 5	373
7	INPUT 4	372
8	INPUT 3	371
9	INPUT 2	370
10	INPUT 1	369
11	GND	368
12	+24V	367
13	TXD2	366
14	TXD2	365
15	TXD2	364
16	TXD2	363
17	GND	362
18	TXD1	361
19	TXD1	360
20	TXD1	359
21	TXD1	358
22	TXD1	357

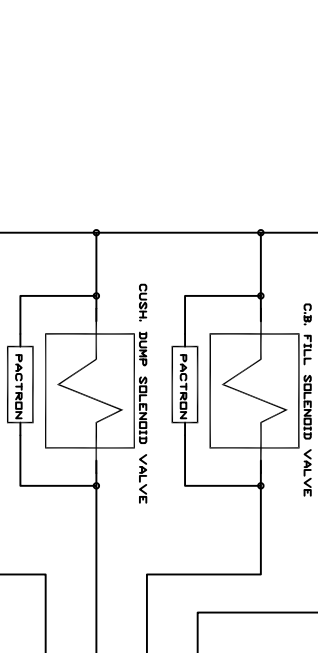
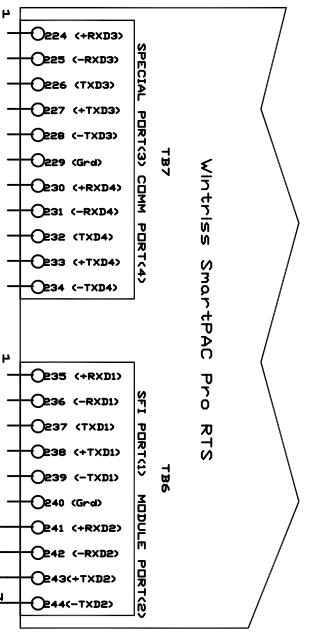
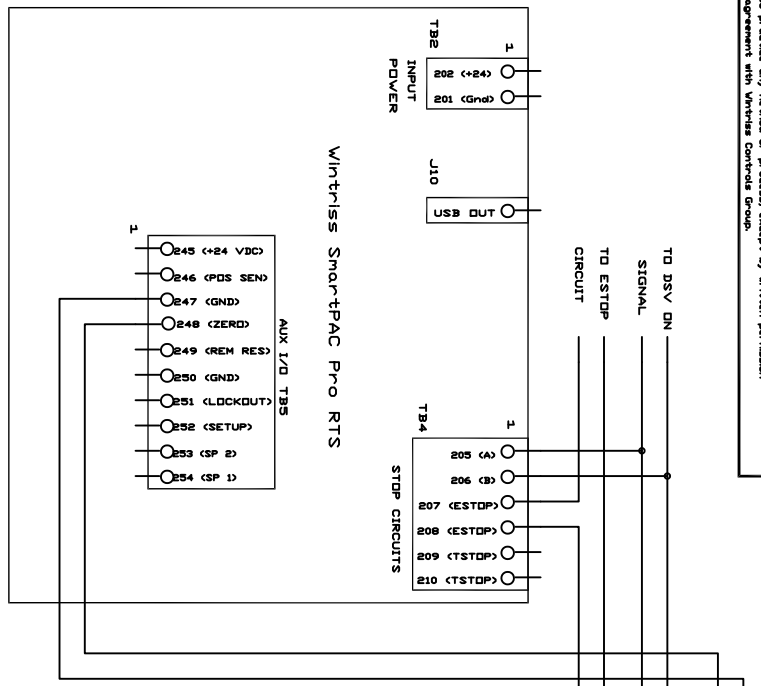
DRAWN	ADDB	DATE	6/11/10
CHK.			
ENG.	APPROVALS		
MFG.			
FILENAME	CODE IDENT. NO.		
REL.	SCALE	NONE	SIZE
			DRAWING NUMBER
			FIGURE 5
			SHEET
			OF

DRAWN		DATE	
ADDB		6/11/10	
CHK.			
ENG.		APPROVALS	
MFG.			
FILENAME		CODE IDENT. NO.	
REL.		SCALE	
		NONE	
		SIZE	
		DRAWING NUMBER	
		FIGURE 5	
		SHEET	
		OF	

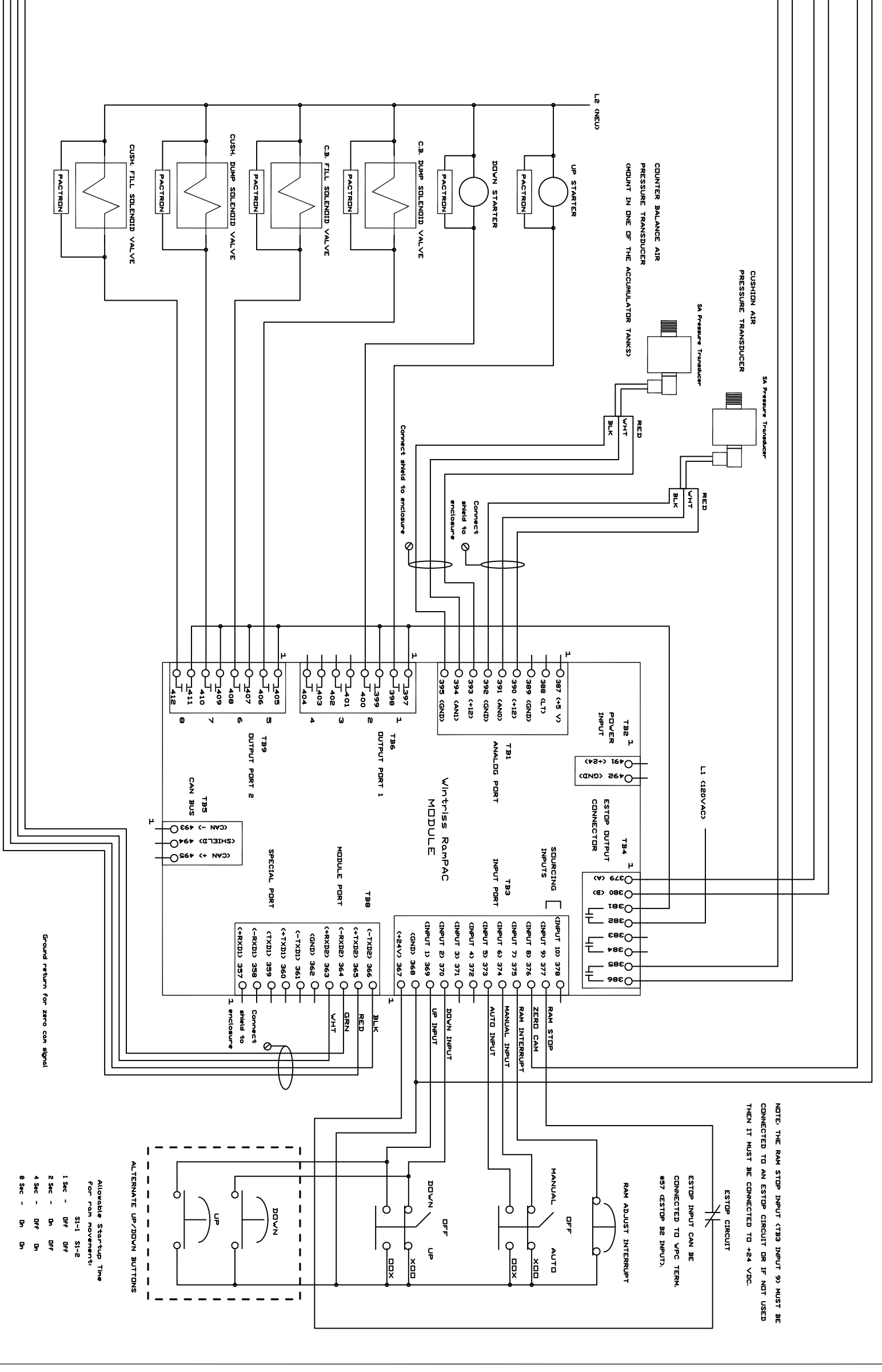
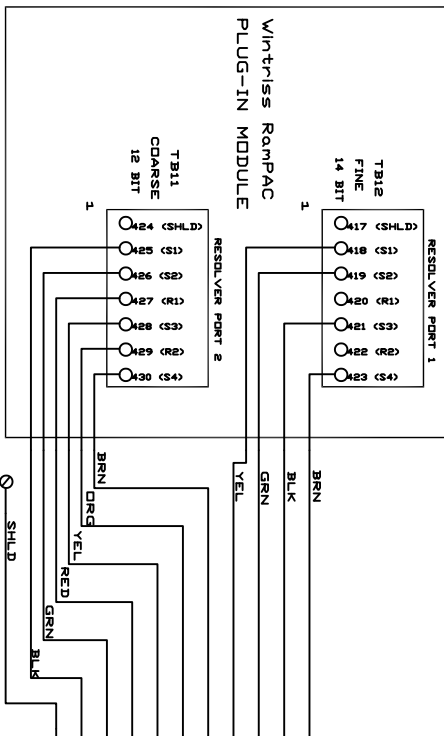
WINTRISS CONTROLS GROUP
RAMPAC WITH EXTERNAL
POWER SUPPLY

PROPRIETARY RIGHTS: This document discloses subject matter in which Wintriss Controls Group has proprietary rights, whether or not registered. The disclosure of this document, in whole or in part, without the written consent of Wintriss Controls Group, is prohibited. Any part thereof, any information contained therein or any practical article or device, or to practice any method or process, except by written permission or written agreement with Wintriss Controls Group.

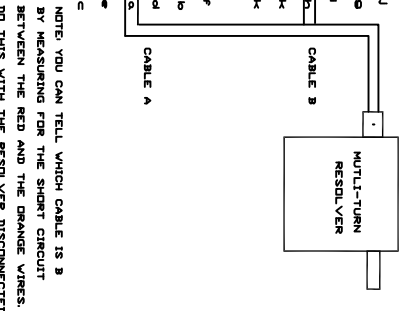
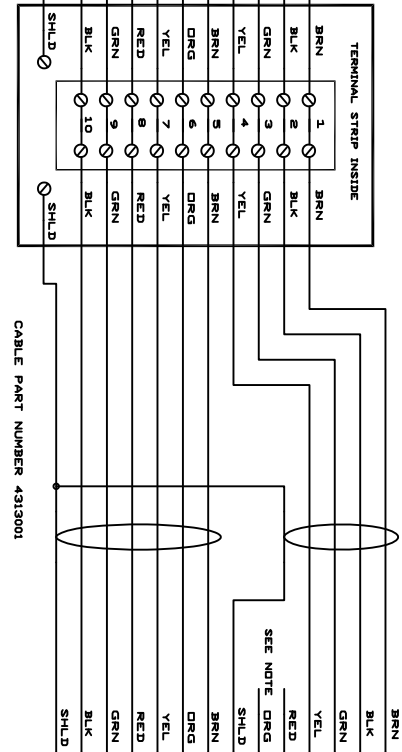
REV	DESCRIPTION	DATE	APP'D



SET THE RESOLVER DRIVE LEVEL JUMPER TO THE 2 V SETTING.



JUNCTION BOX MOUNTED ON CROWN OF PRESS ABOVE THE RAM AREA.



DRAWN		DATE	
ADD	5/9/16		
CHK:			
APPROVALS			
ENG:			
MFG:			
FILENAME			
REL			
WINTRISS CONTROLS GROUP			
RampPac SmartPAC Pro with Multi-Turn Resolver wiring diagram			
CODE IDENT NO.	SIZE	DRAWING NUMBER	REV
SCALE	SHEET		OF

THE RESOLVER WIRING IS SHOWN FOR CCV SHAFT ROTATION (GRADING SHAFT) WHEN THE RAM IS GOING UP. FOR CV ROTATION SWAP CABLE B WIRES BLACK AND YELLOW THEN SWAP CABLE A WIRES BLACK AND YELLOW.

Allowable Start-up Time for ram movement:
 1 Sec - OFF OFF
 2 Sec - ON OFF
 4 Sec - OFF ON
 8 Sec - ON ON

ALTERNATE UP/DOWN BUTTONS

NOTE: THE RAM STOP INPUT (TB3 INPUT 9) MUST BE CONNECTED TO AN ESTOP CIRCUIT OR IF NOT USED THEN IT MUST BE CONNECTED TO +24 VDC.

