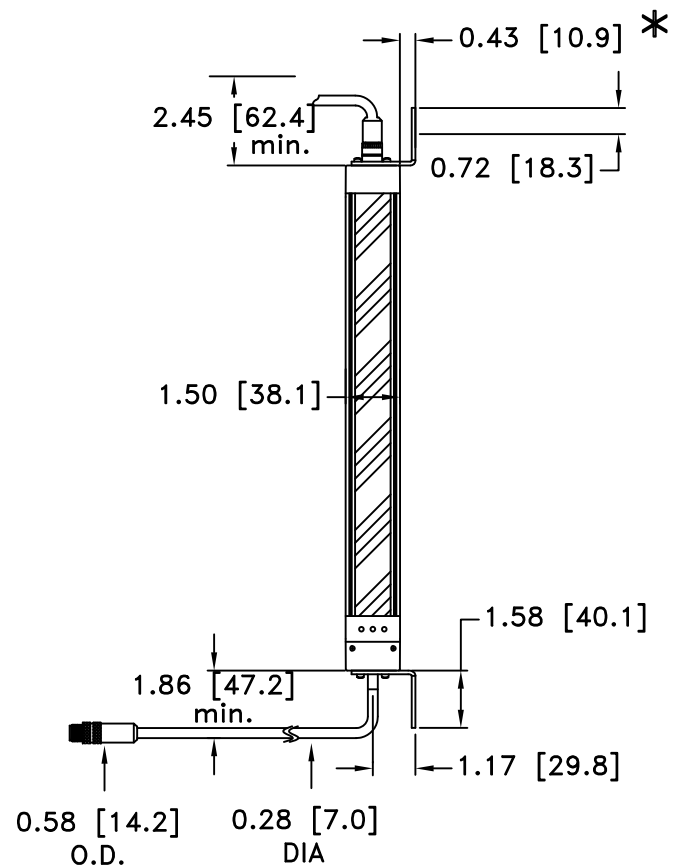


SIDE



FRONT

* Note: If the bracket is rotated 90 degrees. this dimension will change to 0.37 (9.3)

SCANNING HEIGHT	A	B (MAIN)	B (EXTENSION)	C (MAIN)	C (EXTENSION)
9.4 (240)	9.6 (244.6)	N/A	12.7 (323.3)	N/A	14.3 (362.1)
12.6 (320)	12.8 (324.8)	16.6 (422.1)	15.9 (403.5)	18.1 (460.8)	17.4 (442.3)
17.3 (440)	17.5 (443.9)	21.3 (541.2)	20.6 (522.6)	22.8 (579.9)	22.1 (561.4)
23.6 (600)	23.8 (604.1)	27.6 (701.4)	26.9 (682.8)	29.1 (740.1)	28.4 (721.6)
29.9 (760)	30.0 (763.0)	33.9 (860.3)	33.1 (841.7)	35.4 (898.0)	34.7 (880.5)
36.2 (920)	36.3 (922.5)	40.2 (1019.8)	39.5 (1001.2)	41.7 (1058.5)	41.0 (1040.0)
47.2 (1200)	47.4 (1203.8)	51.2 (1301.1)	50.5 (1282.5)	52.8 (1339.8)	52.0 (1321.3)
59.8 (1520)	59.9 (1521.5)	63.7 (1618.8)	63.0 (1600.2)	65.3 (1657.5)	64.5 (1639.0)

DRAWN	RLM	DATE	Wintriss Controls Group		
CHK		2/7/13			
APPROVALS			TITLE		
ENG			Shadow 8		
NFG			Optic Heads		
FILE NAME	Shadow 8 Heads	CODE IDENT NO.	SIZE	DRAWING NUMBER	REV
REL				Shadow 8 Heads	
SCALE				SHEET 1 OF 1	