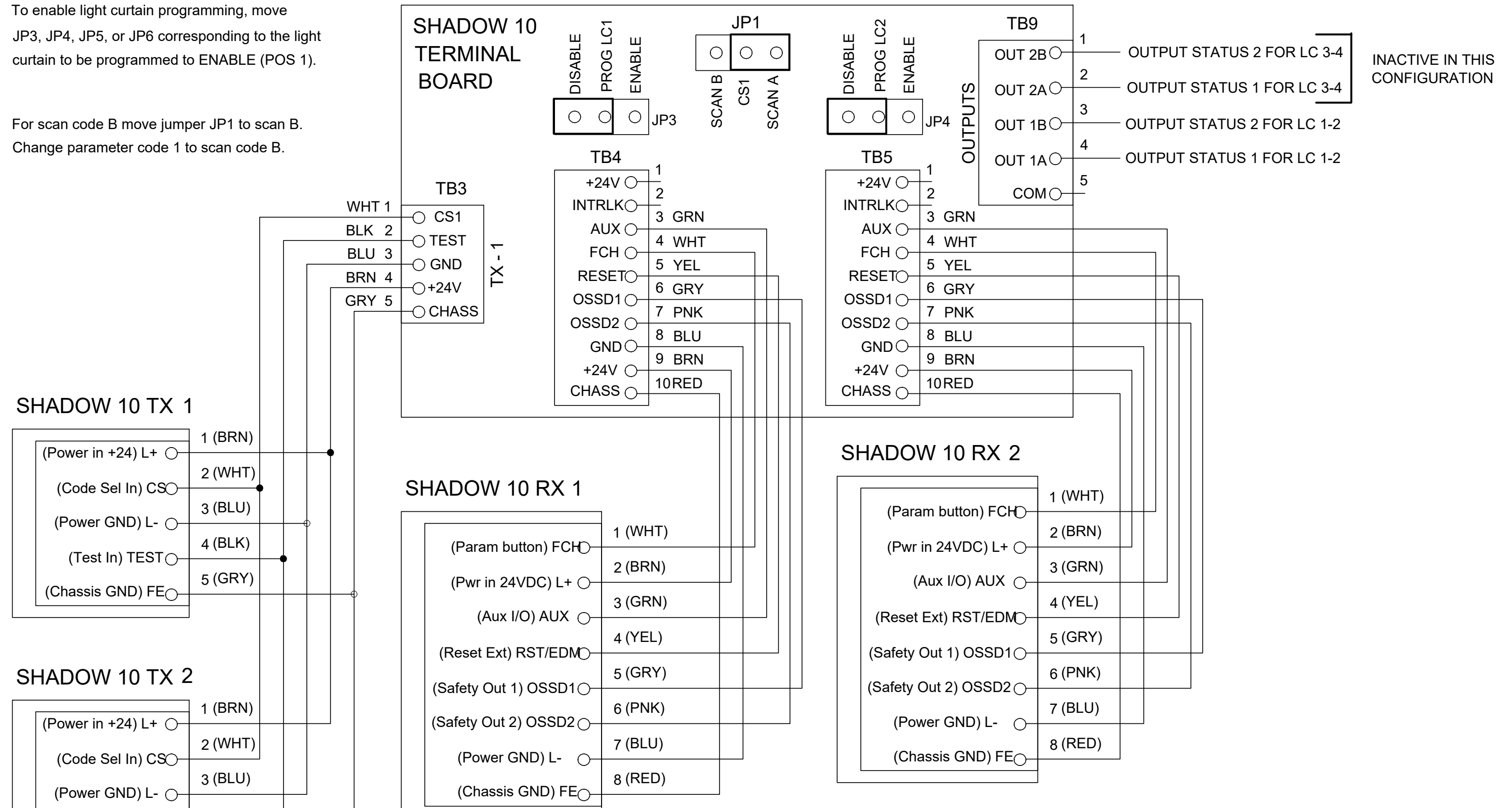


REVISIONS			
REV	DESCRIPTION	DATE	APP'D

To enable light curtain programming, move JP3, JP4, JP5, or JP6 corresponding to the light curtain to be programmed to ENABLE (POS 1).

For scan code B move jumper JP1 to scan B.
Change parameter code 1 to scan code B.



INACTIVE IN THIS CONFIGURATION

DRAWN	MCT	DATE	5/7/26	WINTRISS CONTROLS GROUP			
CHK.							
APPROVALS				TITLE			
ENG.				SHADOW 10 TWO TX AND RX HEAD TO CONTROL BOX WIRING DIAGRAM			
MFG.				CODE IDENT NO.	SIZE	DRAWING NUMBER	REV
FILENAME					B	FIGURE 2	
REL				SCALE		SHEET	OF