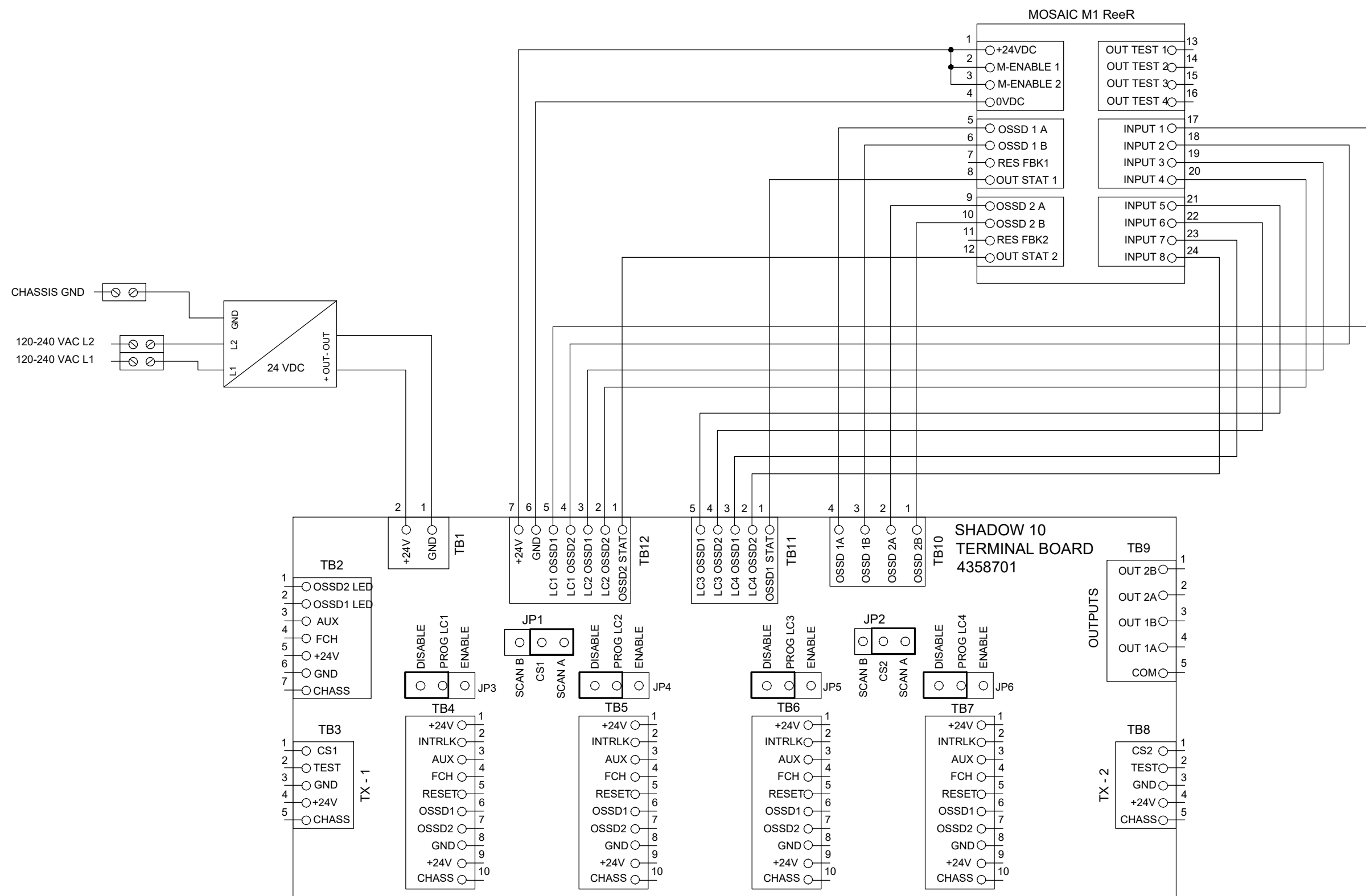


REVISIONS			
REV	DESCRIPTION	DATE	APP'D



DRAWN	MCT	DATE	5/7/26	WINTRISS CONTROLS GROUP			
CHK.							
APPROVALS				TITLE			
ENG.				SHADOW 10 TERMINAL BOARD TO M1 MOSAIC CONTROL DRAWING			
MFG.				CODE IDENT NO.	SIZE	DRAWING NUMBER	REV
FILENAME					B	FIGURE 8	
REL				SCALE		SHEET	OF