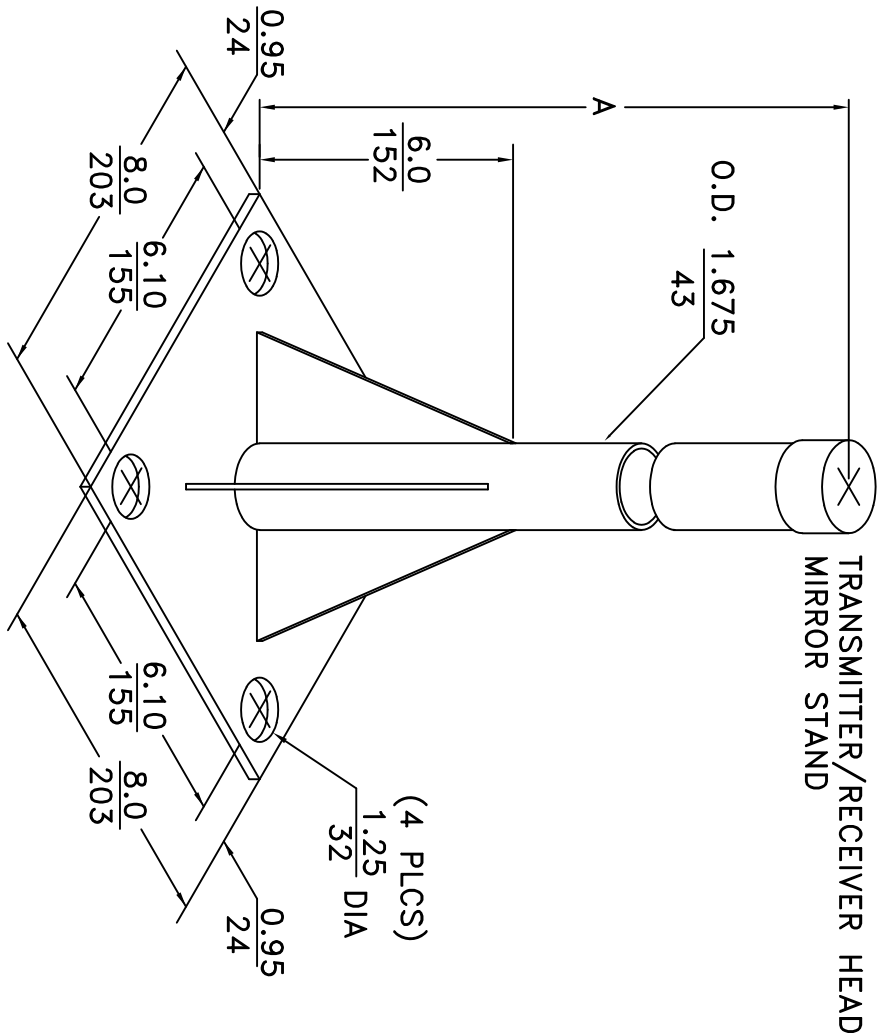
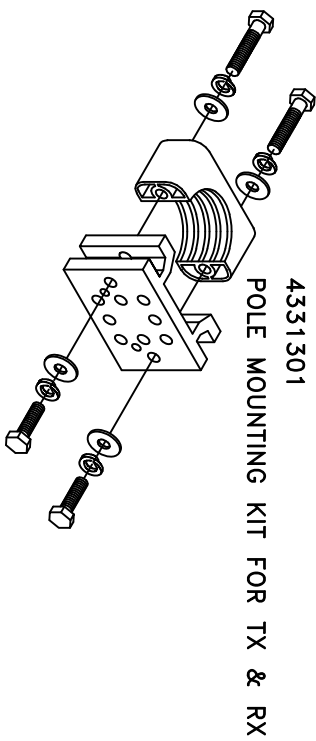


# SHADOW 9 STAND DIMENSIONS



TRANSMITTER/RECEIVER HEAD  
MIRROR STAND



4331301  
POLE MOUNTING KIT FOR TX & RX

## SHADOW STAND HEIGHT & WEIGHT

PART #	HEIGHT (A)	WEIGHT
4330101	4.0' (1.2M)	19.3 Lb (8.8 Kg)
4330102	6.0' (1.8M)	24.7 Lb (11.2 Kg)
4330103	8.0' (2.4M)	30.1 Lb (13.7 Kg)

Model	REV	DATE	BY	CHKD	DATE	BY
Winteriss Controls Group			Title			
Shadow 9			Stand Dimensions			
Part Name			Part Number			
Stand			Stand			
Rev			Rev			
1			1			